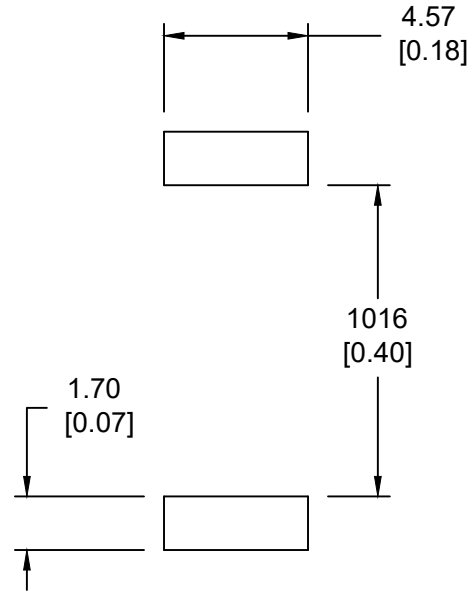
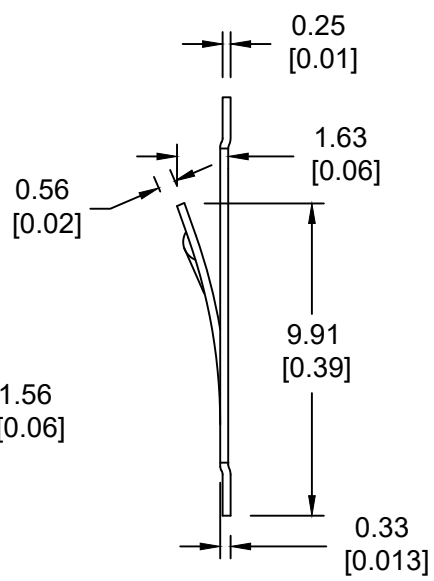
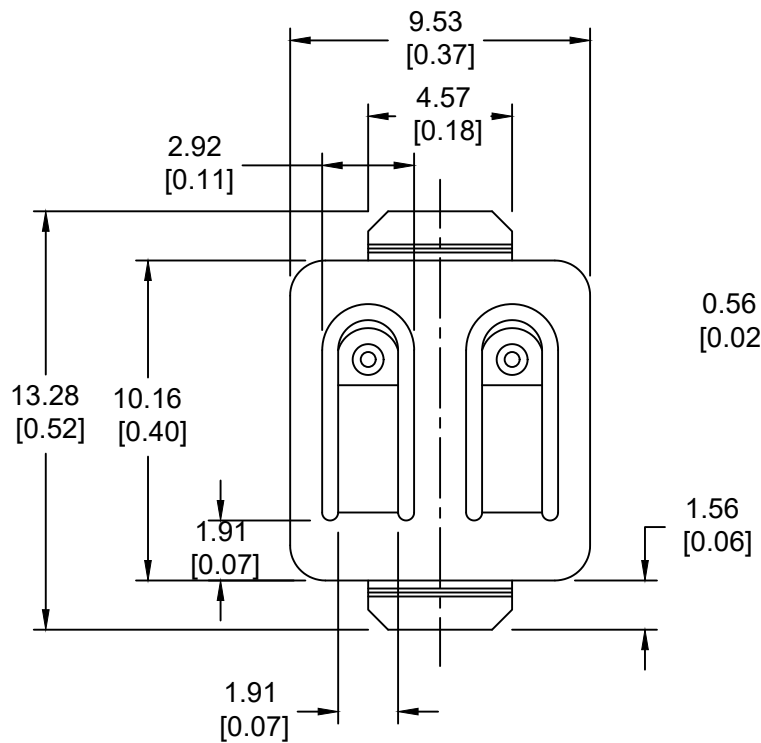



Date	SYM	REVISION RECORD	AUTH	DR.	CK.



PCB LAYOUT

NOTES:

- 1. MATERIAL:  
0.25mm PHOSPHOR BRONZE, NICKLE PLTD.
- 2. ROHS 2 COMPLIANT

Tolerance (Except as noted)	 <b>Memory Protection Devices, Inc</b> 200 Broad Hollow Road, Farmingdale, New York 11735				
decimal ±.5 (.020)	Scale		Drawn By B.S.		
Fractional ± .8 (.030)	Title		Approved By T.B.		
Angular ± 3°	Date	Drawing Number			
	11/24/17	BC-2020			

GENERIC COIN CELL NEGATIVE CONTACT FOR CR2032,CR2450