

MAX98357 Development Board/ Evaluation System (WLP)

Evaluates: MAX98357A/MAX98357B
(WLP)

General Description

The MAX98357 development board (DEV board) is a fully assembled and tested PCB that evaluates the MAX98357 I²S digital input Class D power amplifier. The DEV board operates from a single 2.5V to 5.5V DC power supply and is capable of delivering 3.2W into a 4Ω load. The device outputs can be connected directly to a speaker load for filterless applications. However, a filter can be added to ease evaluation. The MAX98357A accepts standard I²S data and the MAX98357B accepts left-justified digital audio data. Both versions also support 8-channel TDM audio data.

The MAX98357 evaluation system (EV system) includes the MAX98357 DEV board and Maxim Integrated's audio interface board (AUDINT001 board).

The AUDINT001 board provides an easy-to-use USB audio-to-I²S converter. This allows for any computer to become a digital audio source, which can be used to evaluate the devices. The AUDINT001 board can also be used to power the MAX98357. This allows for a complete evaluation from a single USB connection.

Features

- 2.5V to 5.5V Single-Supply Operation
- Only a Single External Component (VDD Capacitor) Required in Many Applications
- I²S, Left-Justified, or TDM Input
- Five Selectable Gains (3dB, 6dB, 9dB, 12dB, and 15dB)
- Audio Channel Select (Left, Right, and Mono Mix)
- Filterless Operation
- Optional Class D Output Filters for Ease of Evaluation
- Proven PCB Layout
- Fully Assembled and Tested

Ordering Information appears at end of data sheet.

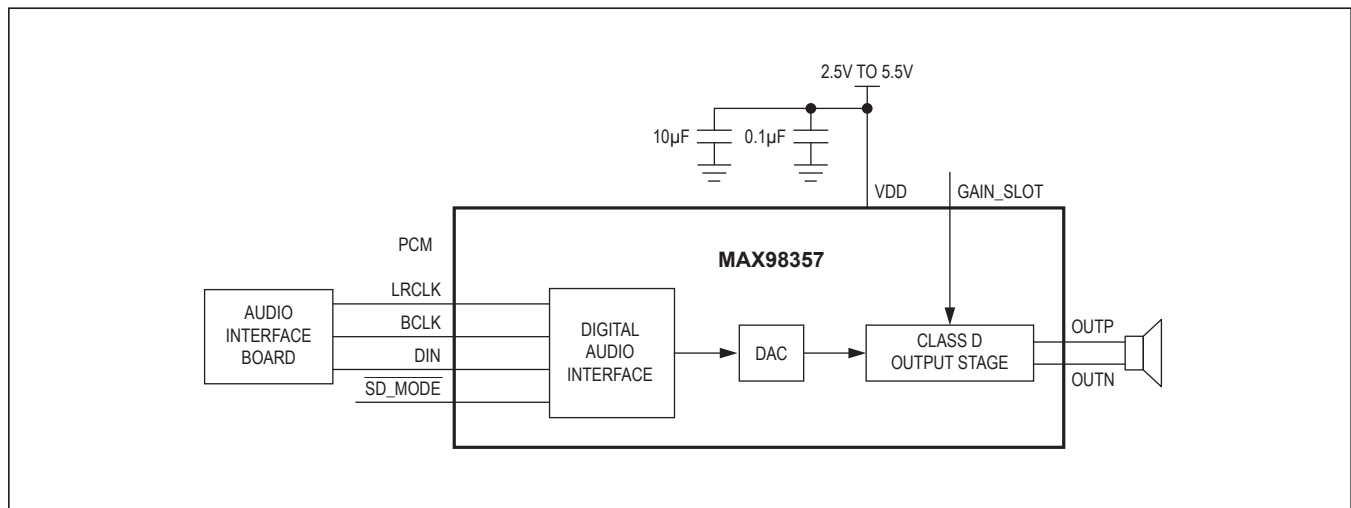


Figure 1. Simplified Block Diagram

Quick Start

Recommended Equipment

- MAX98357 EV system
- 2.5V to 5.5V, 2A DC power supply
- USB audio source (from computer through an audio media player such as iTunes® or Windows Media® player)
- 4Ω or 8Ω speaker

Procedure

The EV system is fully assembled and tested. Follow the steps below to verify board operation. **Caution: Do not turn on the power supply until all connections are completed.**

- 1) Verify that headers and switches are configured as follows:
 - JU2: Pins 1-3 (selects left channel)
 - JU4: Pins 1-2 (power routed from the AUDINT001 board)
 - JU5: Pins 1-5 (12dB GAIN_SLOT)
 - JU6: Pins 2-3 (power routed from external supply)
 - SW1: Position 1-2 (part is on)
- 2) Set the power-supply output to 5V. Disable the power supply.
- 3) Connect the power-supply ground terminal to GND and the power-supply positive terminal to VIN on the DEV board.
- 4) With the audio source disabled, connect the USB audio source to J1 on the DEV board.
- 5) Connect the AUDINT001 board to J1 on the DEV board.
- 6) Connect the speaker across the OUTP and OUTN test points.
- 7) Enable the power-supply output.
- 8) Enable the audio source.
- 9) Verify that the speakers are playing the audio source signal.

iTunes is a registered trademark of Apple Inc.

Windows Media is registered trademark and registered service mark of Microsoft Corporation.

Detailed Description of Hardware

The MAX98357 EV system is designed to allow a thorough evaluation of the MAX98357 I²S digital input Class D power amplifier. The DEV board can be used by itself as a stand-alone evaluation board and driven directly by audio test equipment. The DEV board can also be used in conjunction with the AUDINT001 board, which allows for any computer to become an I²S digital audio source.

The AUDINT001 board has DC regulators that can be used to power the device. This allows for quick evaluation from a single USB connection. Note that powering the device from the AUDINT001 board does not allow for high-power evaluation as the input current is limited and evaluation with a speaker is not recommended. Jumpers JU4 and JU6 are used to power the device from the AUDINT001 board or external supplies connected to test points VIN and VDDIO on the DEV board.

The DEV board operates from a single 2.5V to 5.5V DC power supply and is capable of delivering 3.2W into a 4Ω load and 1.75W into an 8Ω load. The device outputs can be connected directly to a speaker for filterless applications. However, a filter can be added to ease evaluation. The LRC components needed for evaluation of a filtered output are included with the EV kit. The MAX98357A accepts standard I²S data and the MAX98357B accepts left-justified digital audio data. Both versions also support 8-channel TDM audio data.

Filterless Output

The DEV board filterless outputs (OUTP, OUTN) can be connected directly to a speaker load without any filtering. Use the OUTP and OUTN test points to connect the speaker directly to the device output.

Filtered Output

Audio analyzers typically cannot accept the Class D amplifier's pulse-width modulated (PWM) signals at their inputs. Therefore, the DEV board features optional low-pass filters at the outputs to ease evaluation. As shipped, the DEV board's lowpass filter LRC components are unpopulated and L1, L2 are shorted on the PCB.

To use the filtered output posts (FOUTP, FOUTN), remove the shorts on L1 and L2 and install components L1, L2, C3–C9, and R5, R6. (L1 and L2 are provided separately with the DEV board. Components C3–C12 and R5 and R6 are not included.) Use the output posts to connect the

MAX98357 Development Board/ Evaluation System (WLP)

Evaluates: MAX98357A/MAX98357B
(WLP)

filtered outputs to the audio analyzer. The default lowpass filters at the DEV board output are optimized for a 4Ω speaker.

Jumper Selection

Selectable (GAIN_SLOT)

The DEV board features a 5-pin jumper (JU5) to control the device's five programmable gain settings. In TDM mode, the gain is fixed at 12dB and the GAIN_SLOT pin is repurposed for slot selection. See Table 1 for gain-control configuration.

SD_MODE Input

The DEV board features a 4-pin jumper (JU2) to control both the audio channel that is sent to the amplifier output, along with shutdown mode. JU2 is used to select the stereo input data between the left channel, right channel, and the sum of the left/right channels. JU4 must be set to

Table 1. JU5 Jumper Selection (GAIN_SLOT)

SHUNT POSITION	GAIN_SLOT PIN	MAXIMUM GAIN_SLOT (dB)
1-2	Connected to VDD through 100kΩ resistor R1	3
1-3	Connected to VDD	6
1-4	Connected to GND through 100kΩ resistor R2	15
1-5*	Connected to GND	12
Not installed	Unconnected	9

*Default position.

Table 2. JU2 Jumper Selection (SD_MODE)

SHUNT POSITION	SD_MODE PIN	AUDIO CHANNEL
1-2	Connected to VDDIO through R3 (small resistor)	Right
1-3*	Connected to VDDIO through a 2kΩ resistor	Left
1-4	Connected to VDDIO through R4 (large resistor)	Mono mix (left + right)/2

*Default position.

pins 1-2 and a voltage applied to the +3.3V PCB pad for proper operation. See Table 2 for shunt positions.

TDM Mode

In TDM mode, the device has a fixed gain of 12dB and the GAIN_SLOT pin becomes repurposed for slot selection. The device accepts 8-channel TDM data. The data can be either 16 bits or 32 bits wide. The GAIN_SLOT pin and SD_MODE are used to select which of 8 channels of TDM data the part responds to, as shown in Table 3.

Shutdown Mode

The device features a low-power shutdown mode that is activated by setting jumper SW1 to pins 2-3. To exit shutdown mode, set SW1 to pins 1-2 and select the desired stereo input channel using jumper JU2. See Table 4 for shunt positions.

Table 3. TDM Mode Channel Selection (JU2, JU5)

JU2	JU5	CHANNEL	BITS
Connected low	X	OFF	N/A
1-3	1-5	0	16 or 32
1-3	1-3	1	16 or 32
1-3	Open	2	16 or 32
1-3	1-2	3	16 or 32
1-3	1-4	4	16 or 32
1-4	1-5	5	16 or 32
1-4	Open	6	16 or 32
1-4	1-3	7	16 or 32

Table 4. SW1 Jumper Selection

SWITCH POSITION	VDDIO VOLTAGE	DEVICE OPERATION
1-2*	VDDIO determined by JU4 jumper position	Normal (input channel selected through JU2 setting)
2-3	Connected to GND	Shutdown

*Default position.

MAX98357 Development Board/ Evaluation System (WLP)

Evaluates: MAX98357A/MAX98357B
(WLP)

External/Internal VDDIO (+1.8V to +3.3V)

On the DEV board, a logic voltage from a control interface is needed for proper selection of the stereo input channel through $\overline{SD_MODE}$. This voltage can be applied externally at the VDDIO test point or it can be provided from circuitry on the AUDINT001 board. See Table 5 for JU4 jumper selection.

Other logic voltages can be used other than +3.3V. If you want to use other logic voltages, resistors R3 and R4 must be adjusted. Refer to the $\overline{SD_MODE}$ and *Shutdown Operation* section in the MAX98357 IC data sheet for more information.

VDD Input Supply (+2.5V to +5.5V)

The device can accept an input supply from +2.5V to +5.5V. This voltage can be applied externally at the VDD and GND PCB pads, or it can be provided from the AUDINT001 board. See Table 6 for JU6 jumper selection.

Audio Interface Board (AUDINT001 Board)

The AUDINT001 board provides USB-to-I²S data conversion, as well as DC regulators that can be used to power the devices. The USB-to-I²S converter on the AUDINT001

board allows for any computer to become an I²S digital audio source. On the AUDINT001 board, set SW1 to “demo” and set the I²S switch to connected to source audio by USB. This allows for a quick evaluation from a single USB connection. Using the AUDINT001 board as a power supply for high-power evaluation is not recommended as the input current is limited. For high-power evaluation, use an external supply connected to VIN.

Driving I²S Directly

To drive I²S directly, apply signals at the BCLK, LRCLK, and SDIN test points, or on the J3 header, or between J3 pins 1-2 at the appropriate locations (signal and ground are labeled on the board).

Evaluating the MAX98357B

The MAX98357 DEV board comes with a MAX98357A populated on the board, but can also be used to evaluate the MAX98357B. To evaluate the MAX98357B, carefully remove the MAX98357A (U1) device from the board and replace with the MAX98357BEWL+. No other component changes are required.

Table 5. JU4 Jumper Selection (VDDIO)

SHUNT POSITION	LOGIC VOLTAGE (VDDIO)
1-2*	3.3V supplied by the AUDINT001 board connected to J1 header.
2-3	User-supplied external power supply applied at the VDDIO test point.

*Default position.

Table 6. JU6 Jumper Selection (VDD)

SHUNT POSITION	INPUT VOLTAGE (VDD)
1-2*	VDD supplied from the AUDINT001 board connected to the J1 header.
2-3	User-supplied external power supply applied at the VIN PCB pad.

*Default position.

Component List

DESIGNATION	QTY	DESCRIPTION
BCLK, DIN, LRCLK	3	Orange multipurpose test points
C1	1	10 μ F \pm 10%, 6.3V X5R ceramic capacitor (0603) Murata GRM188R60J106K
C2	1	0.1 μ F \pm 10%, 16V X7R ceramic capacitor (0402) Murata GRM155R71C104K
C3–C12	0	Not installed, ceramic capacitors (0402)
FB1, FB2	2	0 Ω \pm 5% resistors (0603)
FOUTN, FOUTP, GND, VIN	4	Binding posts
FOUTN, FOUTP, GND (x2), VDD	5	20G plated solid copper bus wire, 0.25in U-shaped wire loop
GND (x4), OUTN	5	Black multipurpose test points (63 mil drill size)
J1	1	26-pin (2 x 13) dual-row right-angle header, 0.1in centers
J3	1	6-pin header
JU2	1	4-pin header, 0.1 in centers
JU4, JU6	2	3-pin headers, 0.1 in centers
JU5	1	5-pin header, 0.1 in centers
L1, L2	0	Not installed, 22 μ H inductors (6.2mm x 6.3mm)—short (PC trace) TOKO D63CB series part TOKO A916CY-220M

DESIGNATION	QTY	DESCRIPTION
OUTP	1	White multipurpose test point (63 mil drill size)
R1, R2	2	100k Ω \pm 5% resistors (0603)
R3	1	226k Ω \pm 1% resistor (0603)
R4	1	634k Ω \pm 1% resistor (0603)
R5, R6	0	Not installed, resistors (0402)
R7–R9	3	0 Ω \pm 5% resistors (0603)
U1	1	I ² S input Class D audio amplifier (16 WLP) Maxim MAX98357AEWL+
VDDIO	1	Red multipurpose test point (63 mil drill size)
SW1	1	SPDT jumper switch, 0.1in centers
—	4	Shunts
—	1	PCB: MAX98357 WLP EVKIT DEVELOPMENT BOARD
OPTIONAL COMPONENTS		
C3–C9	7	0.22 μ F \pm 10%, 6.3V X5R ceramic capacitors (0402) TDK C1005X5R0J224K
C10–C12	3	18pF \pm 5%, 50V C0G ceramic capacitors (0402)
L1, L2	2	22 μ H, 1A inductors (6.2mm x 6.3mm) TOKO A916CY-220M
R5, R6	2	22 Ω \pm 5% resistors (0402)
R7–R9	3	51 Ω \pm 5% resistors (0402)

Component Suppliers

SUPPLIER	PHONE	WEBSITE
Murata Americas	770-436-1300	www.murataamericas.com
TDK Corp.	847-803-6100	www.component.tdk.com
TOKO America, Inc.	847-297-0070	www.tokoam.com

Note: Indicate that you are using the MAX98357 when contacting these component suppliers.

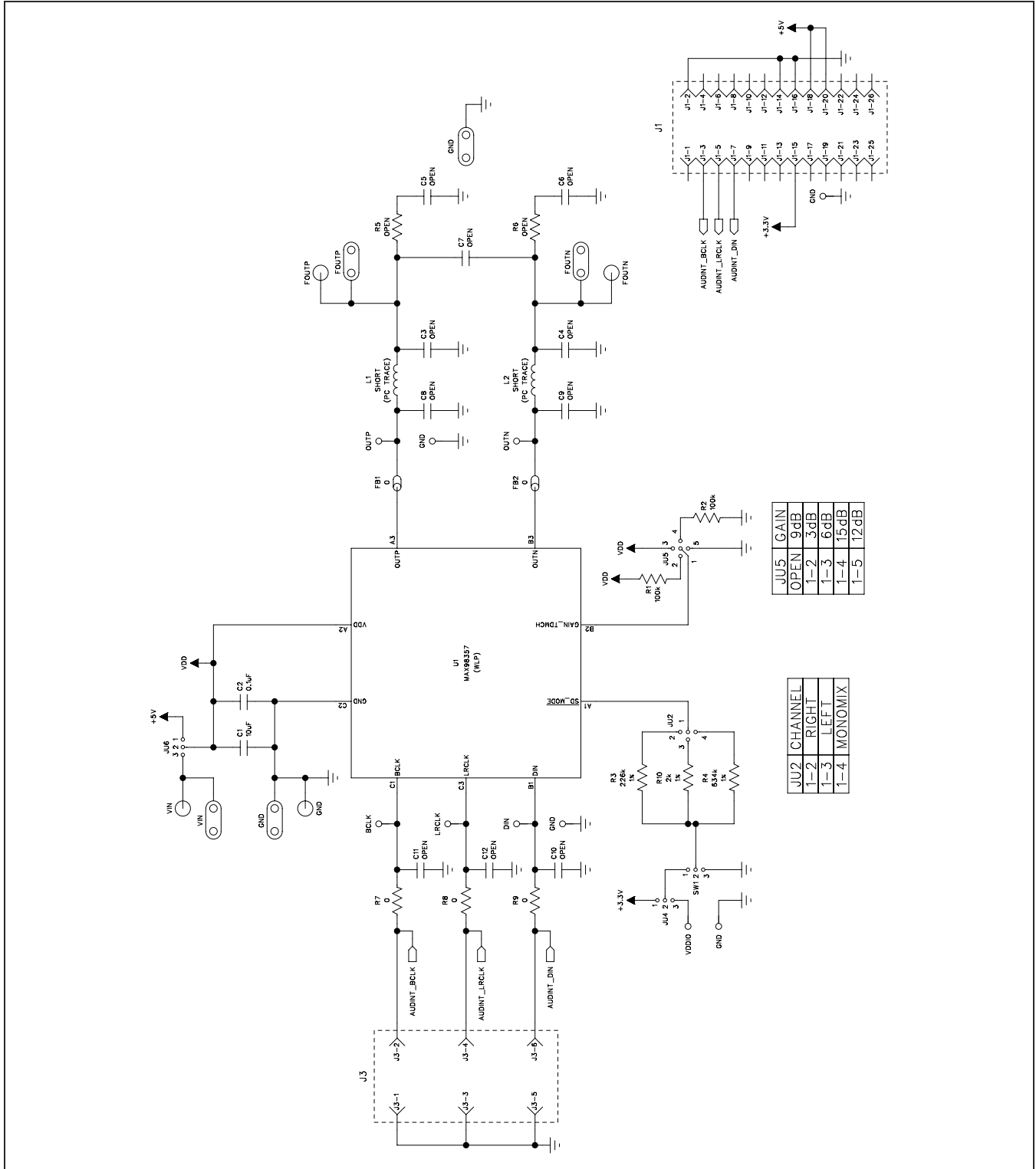


Figure 2. MAX98357 DEV Board Schematic

MAX98357 Development Board/ Evaluation System (WLP)

Evaluates: MAX98357A/MAX98357B (WLP)

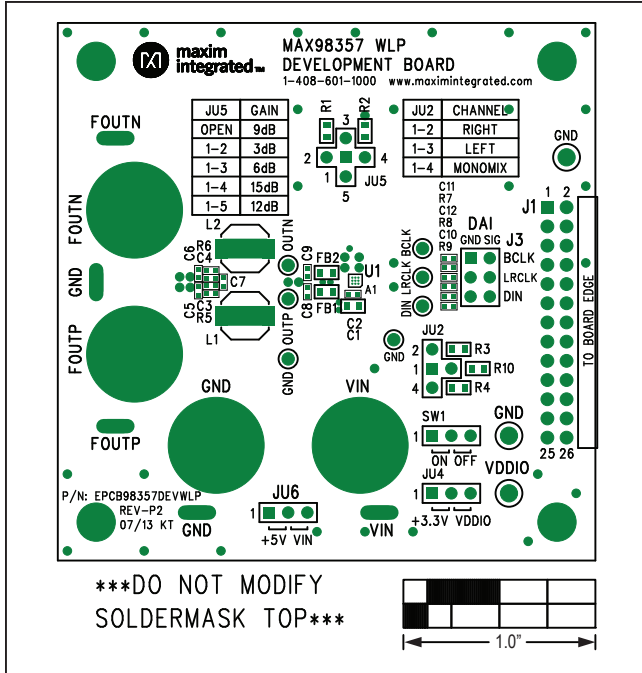


Figure 3. MAX98357 DEV Board Silkscreen—Top

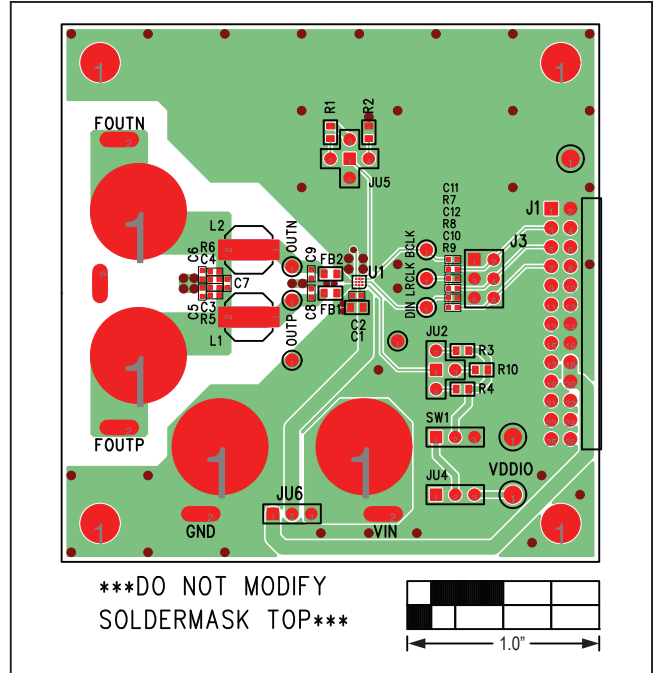


Figure 4. MAX98357 DEV Board PCB Layout—Component Side

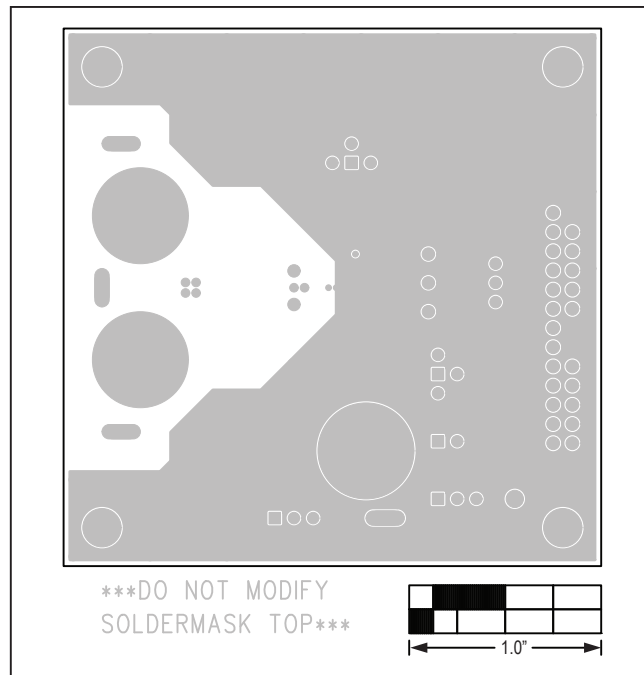


Figure 5. MAX98357 DEV Board PCB Layout—Layer 2

MAX98357 Development Board/
Evaluation System (WLP)

Evaluates: MAX98357A/MAX98357B
(WLP)

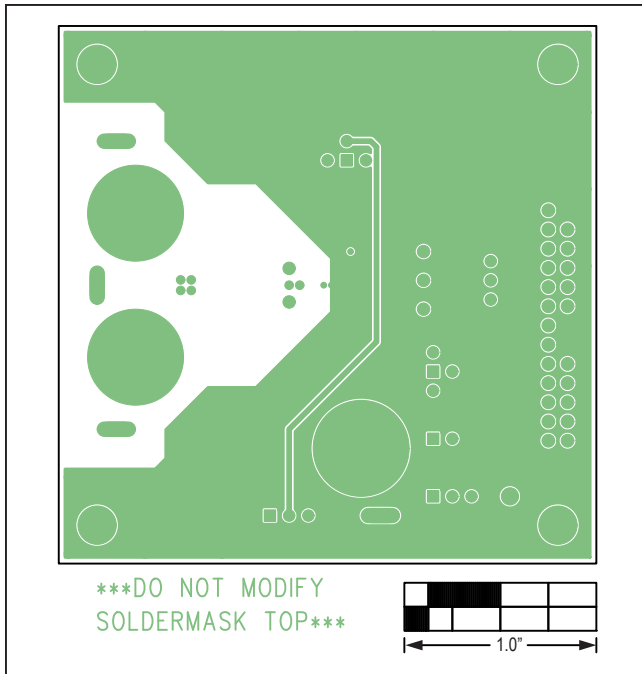


Figure 6. MAX98357 DEV Board PCB Layout—Layer 3

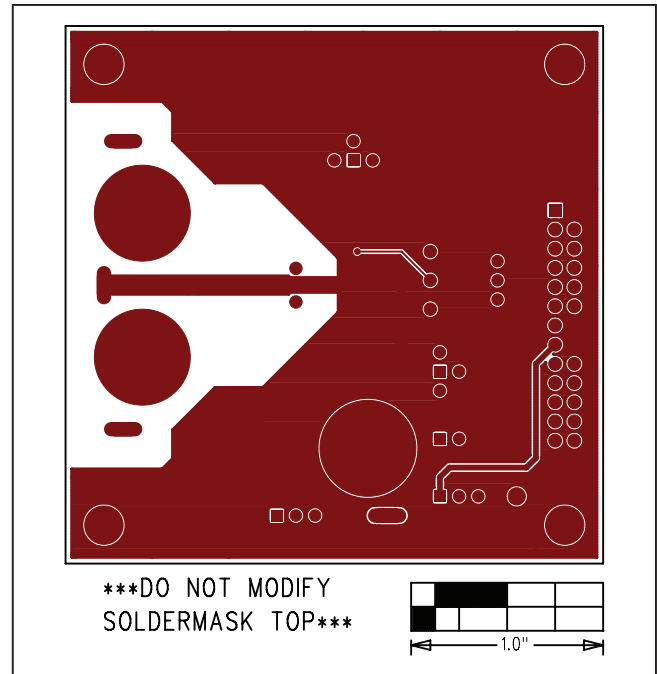


Figure 7. MAX98357 DEV Board PCB Layout—Solder Side

Ordering Information

PART	TYPE
MAX98357DEV#WLP	Development Board (DEV Board only)
MAX98357EVSYS#WLP	Evaluation System Kit (DEV + AUDINT001 Boards)

#Denotes RoHS compliant.

Revision History

REVISION NUMBER	REVISION DATE	DESCRIPTION	PAGES CHANGED
0	10/13	Initial release	—
1	4/14	Added <i>Evaluating the MAX98357B</i> section and updated Figures 2 and 7	4–6, 8

For pricing, delivery, and ordering information, please contact Maxim Direct at 1-888-629-4642, or visit Maxim Integrated's website at www.maximintegrated.com.

Maxim Integrated cannot assume responsibility for use of any circuitry other than circuitry entirely embodied in a Maxim Integrated product. No circuit patent licenses are implied. Maxim Integrated reserves the right to change the circuitry and specifications without notice at any time.