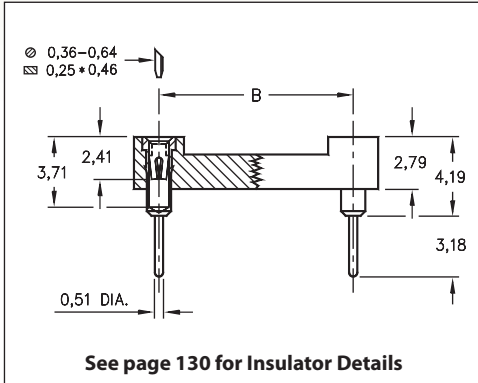
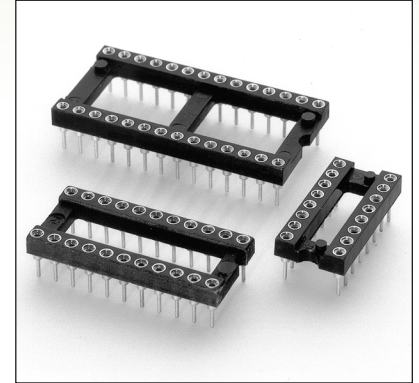


DUAL-IN-LINE SOCKETS

SERIES 110...001 • STANDARD SOLDER TAIL • OPEN FRAME



- All DIP sockets accept 0,38 - 0,64 diameter and standard IC leads
- Hi-Rel, 4-finger BeCu #30 contact is rated at 3 amps. See page 253 for details
- Series 110 uses MM #1001 pins. See page 165 for details
- Insulators are high temperature thermoplastic, suitable for all soldering operations
- For Electrical, Mechanical and Environmental Data, see page 264 for details



Total number of pins	Pin Spacing Dimensions (mm)			Quantity per tube	ORDERING INFORMATION								
	A	B	C										
10	12,6	5,08	7,6	40	110-XX-210-41-001000 110-XX-304-41-001000 110-XX-306-41-001000 110-XX-308-41-001000 110-XX-310-41-001000 110-XX-314-41-001000 110-XX-316-41-001000 110-XX-318-41-001000 110-XX-320-41-001000 110-XX-322-41-001000 110-XX-324-41-001000 110-XX-328-41-001000 110-XX-420-41-001000 110-XX-422-41-001000 110-XX-424-41-001000 110-XX-428-41-001000 110-XX-432-41-001000 110-XX-624-41-001000 110-XX-628-41-001000 110-XX-632-41-001000 110-XX-636-41-001000 110-XX-640-41-001000 110-XX-642-41-001000 110-XX-648-41-001000 110-XX-650-41-001000 110-XX-652-41-001000 110-XX-950-41-001000 110-XX-952-41-001000 110-XX-964-41-001000								
4	5,0	7,62	10,1	102									
6	7,6	7,62	10,1	67									
8	10,1	7,62	10,1	50									
10	12,6	7,62	10,1	40									
14	17,7	7,62	10,1	28									
16	20,3	7,62	10,1	25									
18	22,8	7,62	10,1	22									
20	25,3	7,62	10,1	20									
22	27,8	7,62	10,1	18									
24	30,4	7,62	10,1	16									
28	35,5	7,62	10,1	14									
20	25,4	10,16	12,7	20									
22	27,8	10,16	12,7	18									
24	30,4	10,16	12,7	16									
28	35,5	10,16	12,7	14									
32	40,6	10,16	12,7	12									
24	30,4	15,24	17,7	16									
28	35,5	15,24	17,7	14									
32	40,6	15,24	17,7	12									
36	45,7	15,24	17,7	11									
40	50,8	15,24	17,7	10									
42	53,3	15,24	17,7	9									
48	60,9	15,24	17,7	8									
50	63,5	15,24	17,7	8									
52	66,0	15,24	17,7	7									
50	63,5	22,86	25,3	8									
52	66,0	22,86	25,3	7									
64	81,2	22,86	25,3	6									

XX=Plating Code
See Below



SPECIFY PLATING CODE XX =	11	13	91	93	99	41	43	44
Sleeve (Pin)	0,25µm Au	0,25µm Au	5,08µm Sn/Pb	5,08µm Sn/Pb	5,08µm Sn/Pb	5,08µm Sn	5,08µm Sn	5,08µm Sn
Contact (Clip)	0,25µm Au	0,76µm Au	0,25µm Au	0,76µm Au	2,54µm Sn/Pb	0,25µm Au	0,76µm Au	2,54µm Sn

