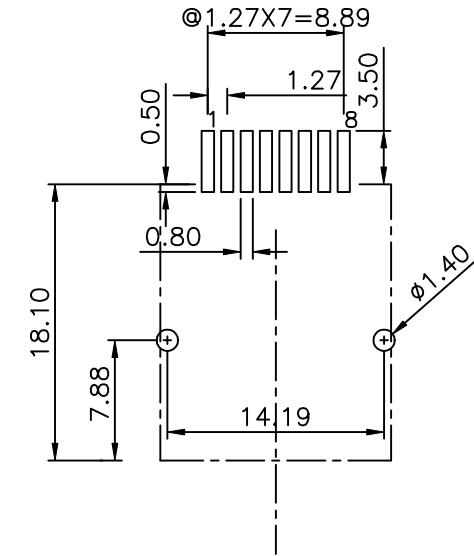
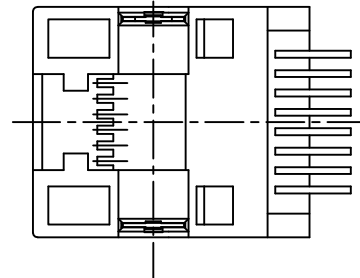
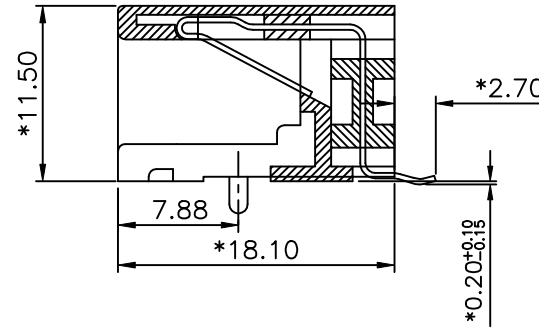
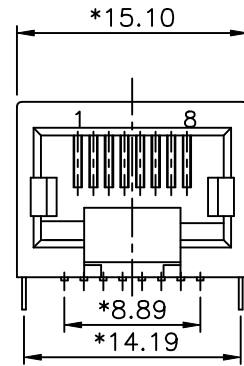


REVISION RECORD				
REV	ECO	DESCRIPTION	DRFT	CHKD
△		NOTES MODIFY	Among 11/08/04	



PC BOARD LAYOUT COMPONENT SIDE SHOWN

NOTES:

ELECTRICAL:

1. VOLTAGE RATING : 125 VAC RMS.
2. CURRENT RATING : 1.5 AMP.
3. CONTACT RESISTANCE : 35 MILLIOHMS MAX.
4. INSULATION RESISTANCE: 1000 MEGOHMS MIN @ 500 VDC.
5. DIELECTRIC STRENGTH : 1000 VAC RMS 60Hz, 1MIN.

MECHANICAL:

1. HOUSING MATERIAL : FR52
2. CONTACT MATERIAL : PHOSPHOR BRONZE t=0.35mm.
- △ 3. PLATING : GOLD PLATING OVER NICKEL.
4. OPERATING LIFE : 750 CYCLES MIN.
- △ 5. PCB RETENTION POST-SOLDER: 10 LBS MIN.

ENVIRONMENTAL:

1. STORAGE : -40°C TO +85°C.
 - △ 2. OPERATION: -40°C TO +85°C.
- MATES WITH MODULAR PLUG CONFORMING TO
FCC PART 68, SUBPART F.

PART NUMBER: E5388-EQ05QX-L

- 1- 3U" 2- 6U"
- 3- 15U" 4- 30U"
- 5- 50U"

DETACHED LISTS	← MM (INCH) →		DFTO SAMMY	DATE 06/08/04	FULL RISE ELECTRONIC CO., LTD	
	TOLERANCES EXCEPT AS NOTED		CHKD SAMMY	DATE 2004/11/16		
	MM	±	MFO	DATE	TITLE SIDE ENTRY 8P(LEAD_FREE)	
	.0 ±0.20	±	APPVLLUSHENG	DATE 2004/11/17		
	.00 ±0.15	±	MATERIAL :		DRAWING NO. GE533095 SIZE A3 REV 1 /PART NO. SEE NOTE	
.000 ±0.075	±	QT'Y :				
ANGLES ±		FINISH :		DO NOT SCALE DRAWING SHEET X OF Y		
THIRD ANGLE PROJECTION		SCALE : 3:1				