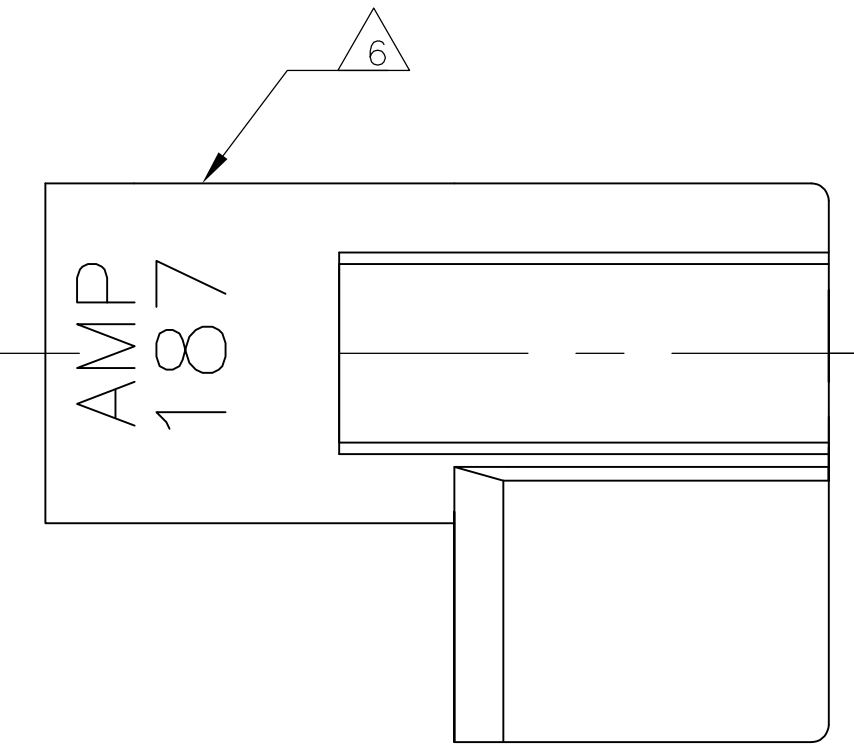
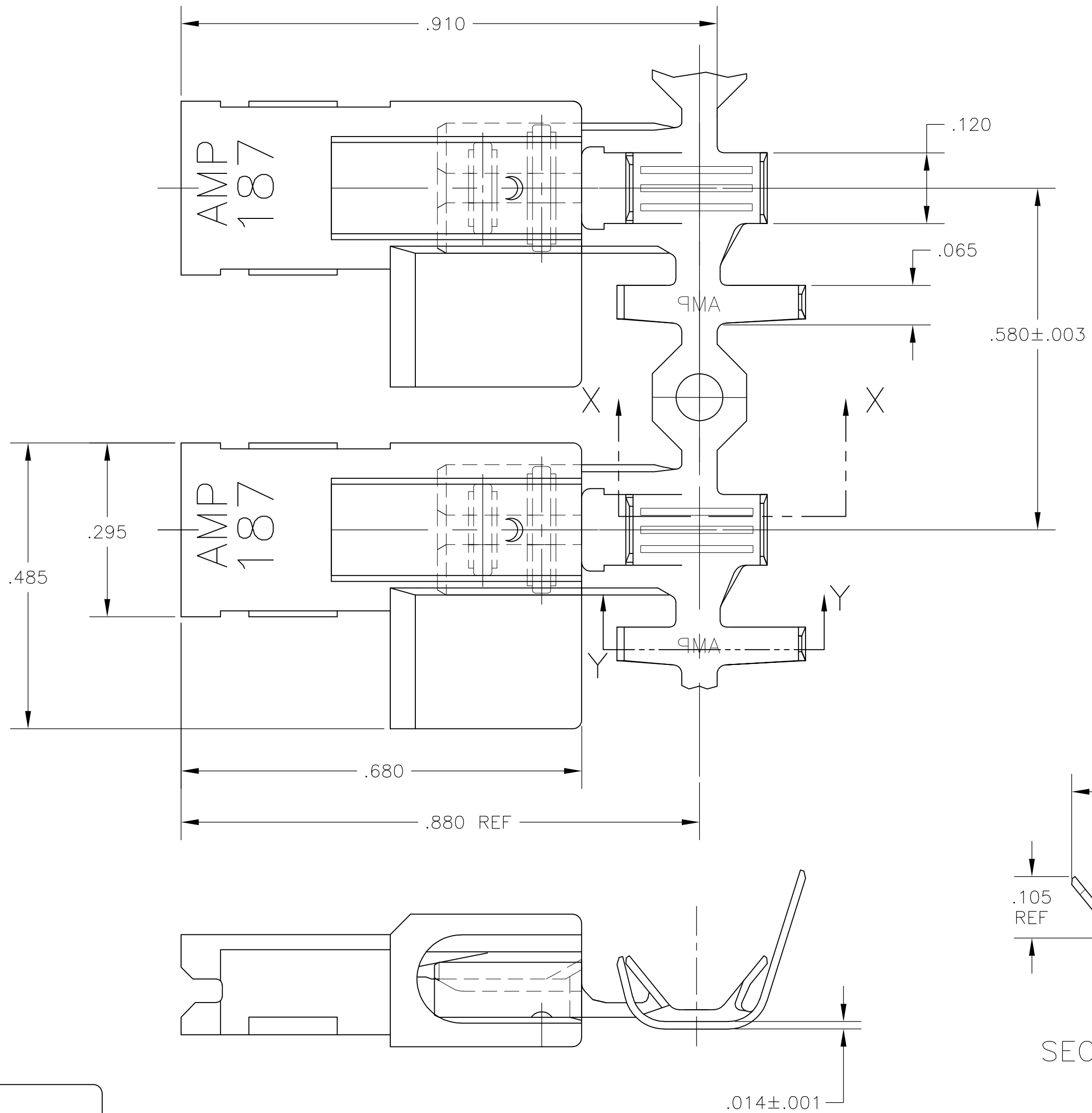
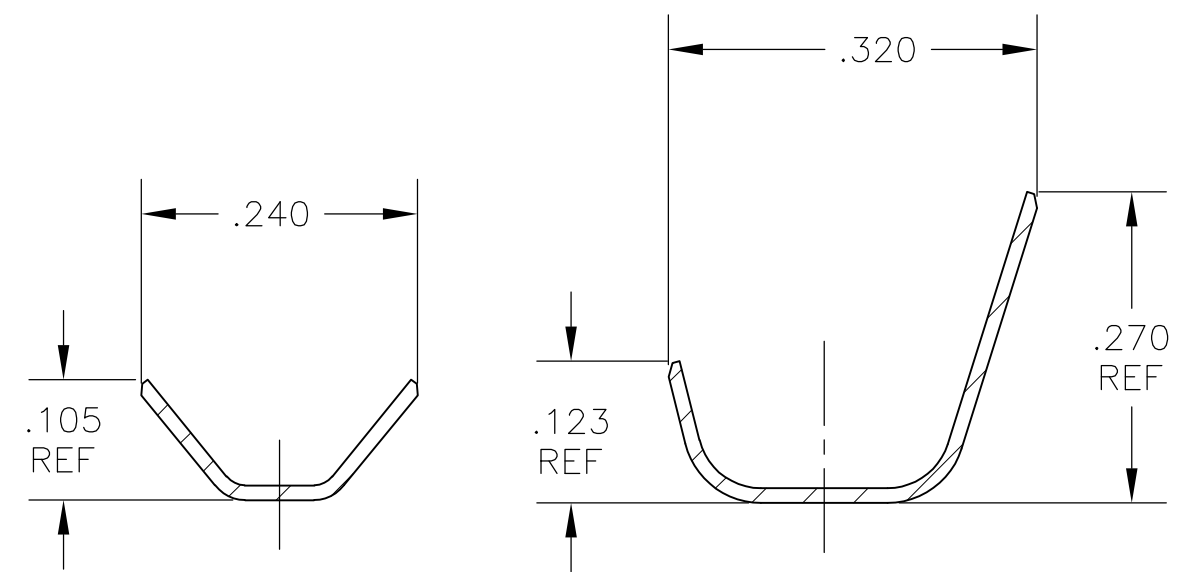


THIS DRAWING IS UNPUBLISHED. RELEASED FOR PUBLICATION
 © COPYRIGHT - By - ALL RIGHTS RESERVED.

LOC		DIST		REVISIONS			
P	LTR	DESCRIPTION		DATE	DWN	APVD	
AF	50	H	REVISED PER ECR-12-013062	17DEC12	KH	KR	



- 2 WIRE SIZES & COMBINATIONS: #18, #16, #14, (2)#20, (2)#18
- 3 INSULATION RANGE IS .110-.150 DIA OR TWO AT .110 MAX DIA.
- 4 MATERIAL;
 TERMINAL: BRASS, FINISH SEE TABLE
 HOUSING: 6/6 NYLON, V2, NATURAL COLOR
- 5 FITS .187 X .032±.001 THK FASTON TAB
- △6 ALTERNATIVE HOUSING FORM
- △7 PREPRODUCTION - FASR REQ



SECTION X-X SECTION Y-Y

THIS DRAWING IS A CONTROLLED DOCUMENT.		DWN	JR RUTH	30JUL03
DIMENSIONS: INCHES		CHK	J HUMMEL	24JUL03
TOLERANCES UNLESS OTHERWISE SPECIFIED:		APVD	KRISTY YI	24JUL03
0 PLC	± -	PRODUCT SPEC	108-2215	
1 PLC	± -	APPLICATION SPEC	114-2124	
2 PLC	± -	WEIGHT	-	
3 PLC	± .010	CUSTOMER DRAWING	SCALE 6:1 SHEET 1 of 1 REV H	
4 PLC	± -			
ANGLES	± -			
FINISH	SEE NOTES			

.000040 MIN TIN PLATE		△7	521599-2
NO PLATING		△7	521599-1
TERMINAL: FINISH		PART NO.	
TE TE Connectivity			
NAME ASSEMBLY, RECPT, FLAG, ULTRA-POD, .187 SERIES 18-14 AWG, V2 HOUSING			
SIZE	CAGE CODE	DRAWING NO	RESTRICTED TO
A2	00779	C=521599	-