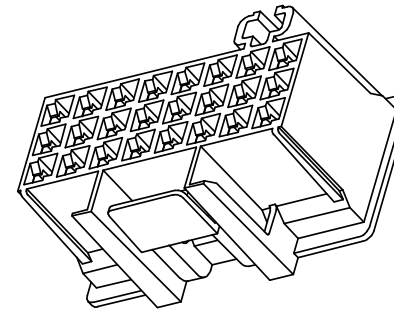
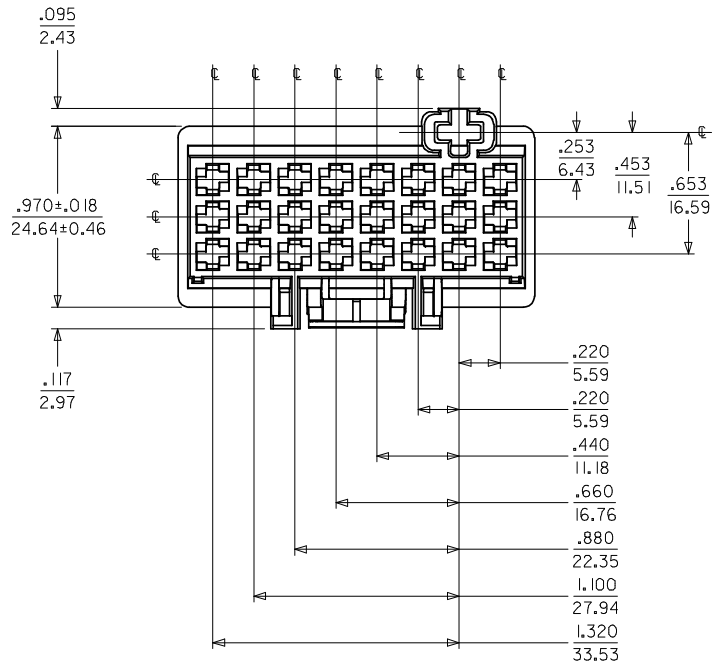
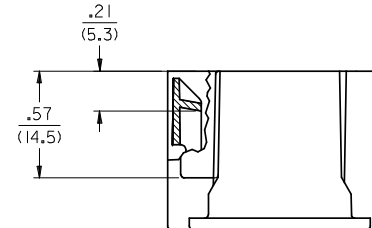
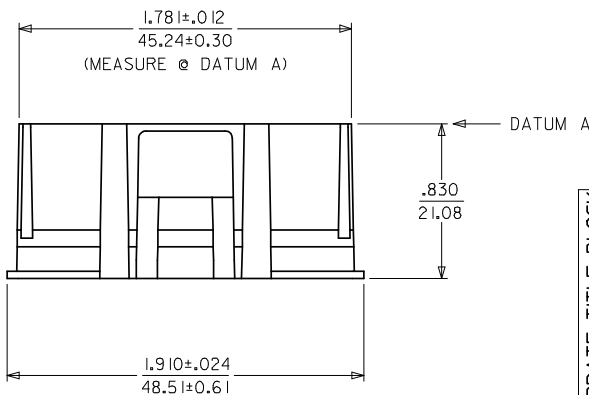


NOTES:

1. MATERIAL: NYLON PA66, UL94V-2, COLOR: NATURAL
2. FINISH: NOT APPLICABLE
3. PRODUCT SPECIFICATION: PSX-44441-9999
4. PACKAGING INFORMATION: PK-43275-002
5. USE TERMINALS: 43375-*,
6. SEE SMES-43275-0024 OR SMES-43275-9024 FOR THE DESCRIPTION OF THE MATING INTERFACE.
7. PARTS CONFORM TO CLASS 'B' REQUIREMENT OF COSMETIC SPECIFICATION PS-45499-002.



43275-1024



UPDATE TITLE BLOCK EC NO: UCP2007-2637 DRWN:PRIODDER 2008/06/18 CHKD:AEHLHAG 2008/06/18 APPR:FSMLTH 2008/06/25	DESCRIPTION H1	QUALITY SYMBOLS ▽=0 ▽=0	GENERAL TOLERANCES (UNLESS SPECIFIED)		DIMENSION STYLE INCH ONLY		SCALE 2:1	DESIGN UNITS INCH	THIRD ANGLE PROJECTION
		4 PLACES ± --- ± --- 3 PLACES ± --- ± .010 2 PLACES ± 0.25 ± .010 1 PLACE ± 0.25 ± --- ANGULAR ± 1/2°	mm INCH DRAWN BY DATE KBP 94/03/10 CHECKED BY DATE KBP 94/03/10 APPROVED BY DATE RAS 94/03/10	TITLE CONNECTOR HOUSING 24 CIRCUITS APPLIANCE TIMER - TPA			MOLEX MOLEX INCORPORATED		
DRAFT WHERE APPLICABLE MUST REMAIN WITHIN DIMENSIONS			MATERIAL NO. 43275-1024		DOCUMENT NO. SD-43275-1024		SHEET NO. 1 OF 00		
THIS DRAWING CONTAINS INFORMATION THAT IS PROPRIETARY TO MOLEX INCORPORATED AND SHOULD NOT BE USED WITHOUT WRITTEN PERMISSION									